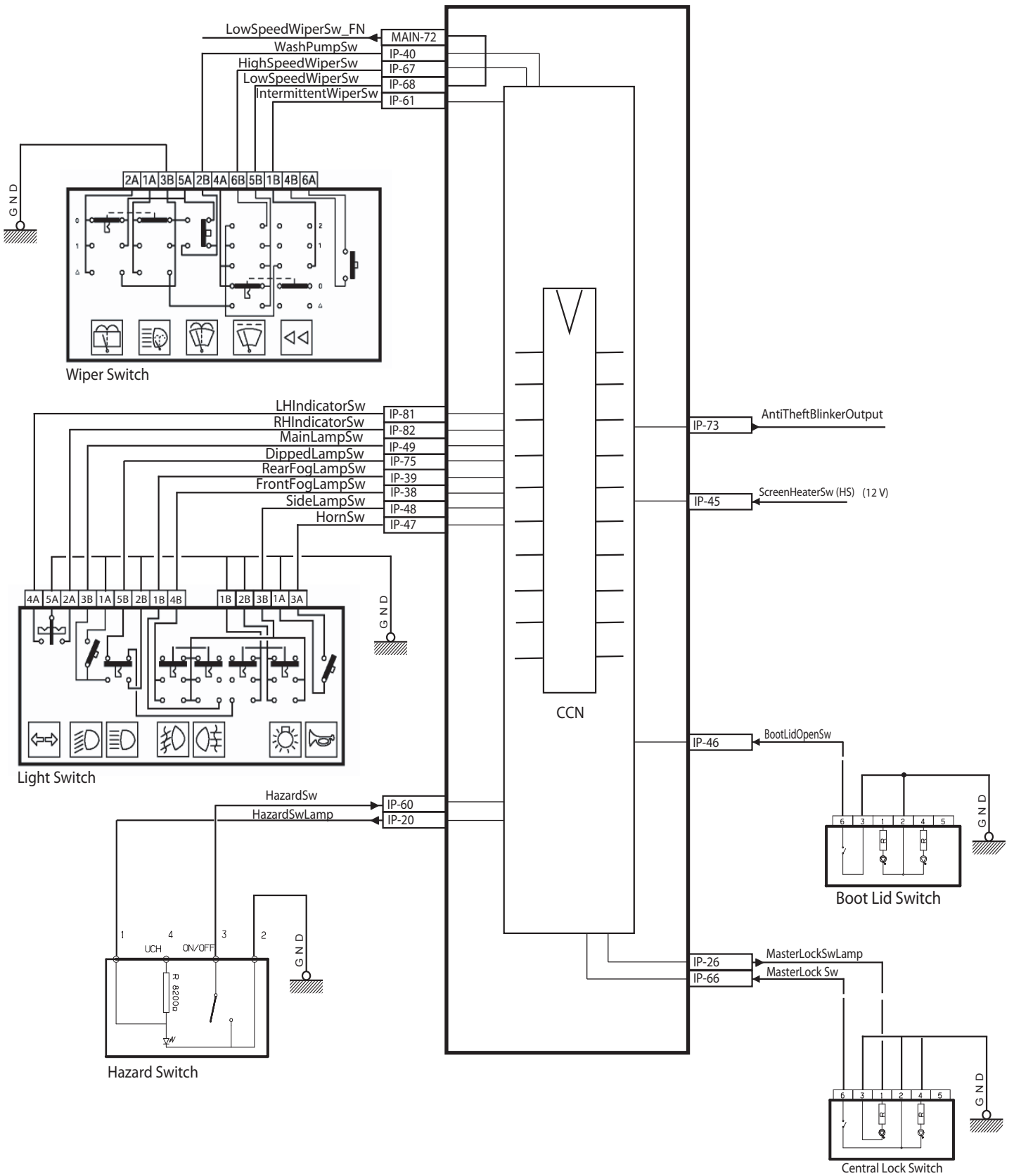
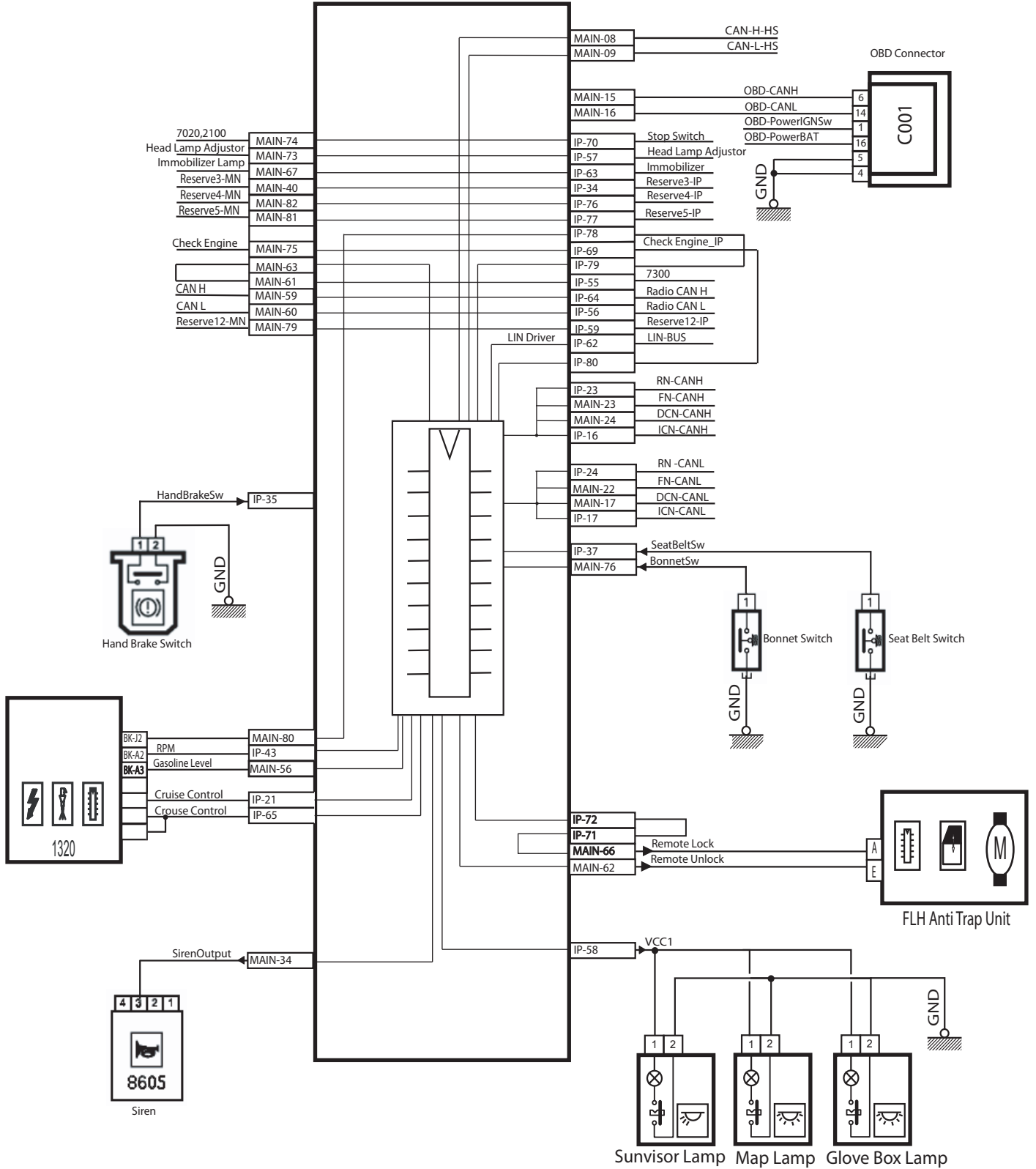
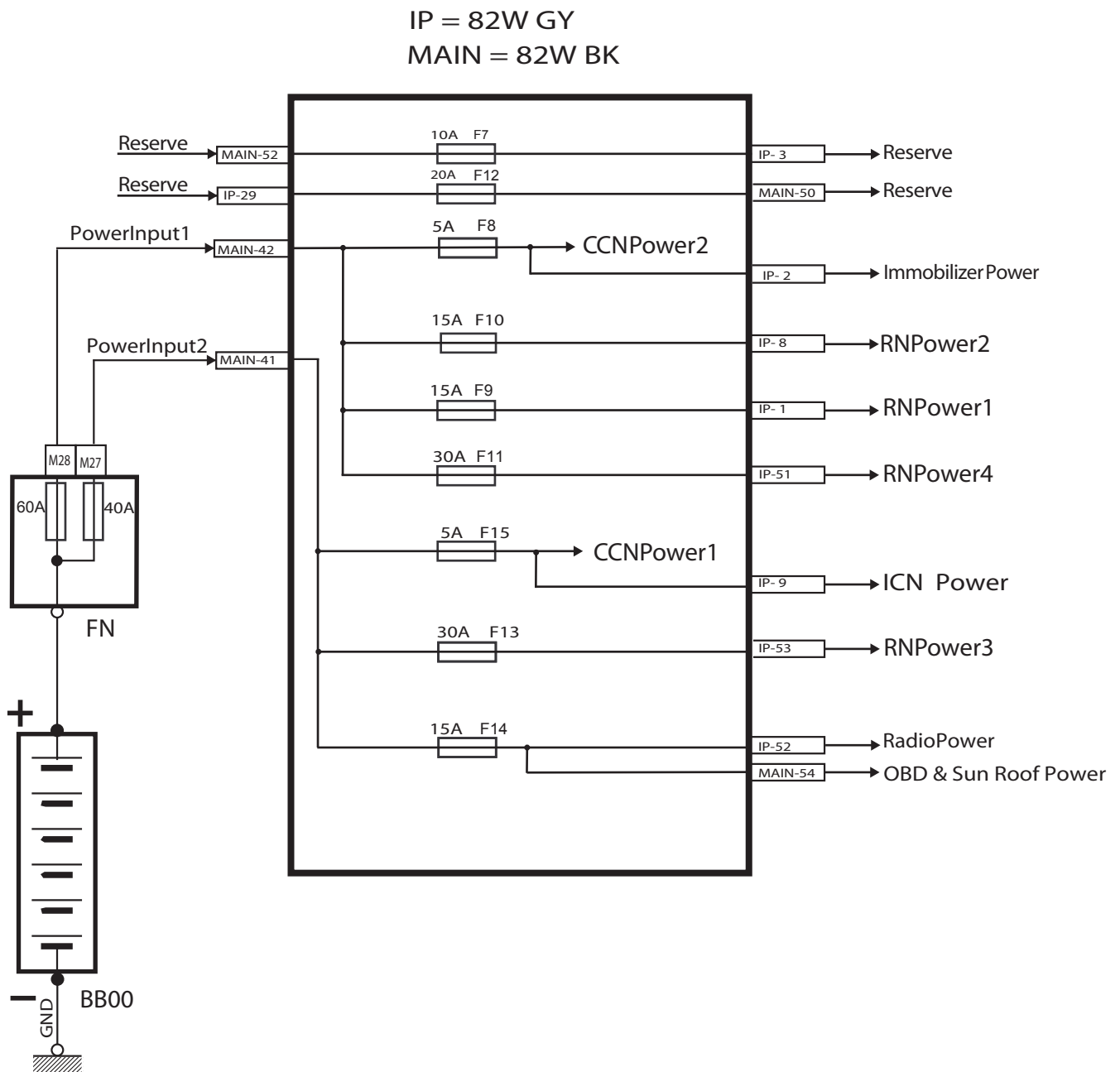


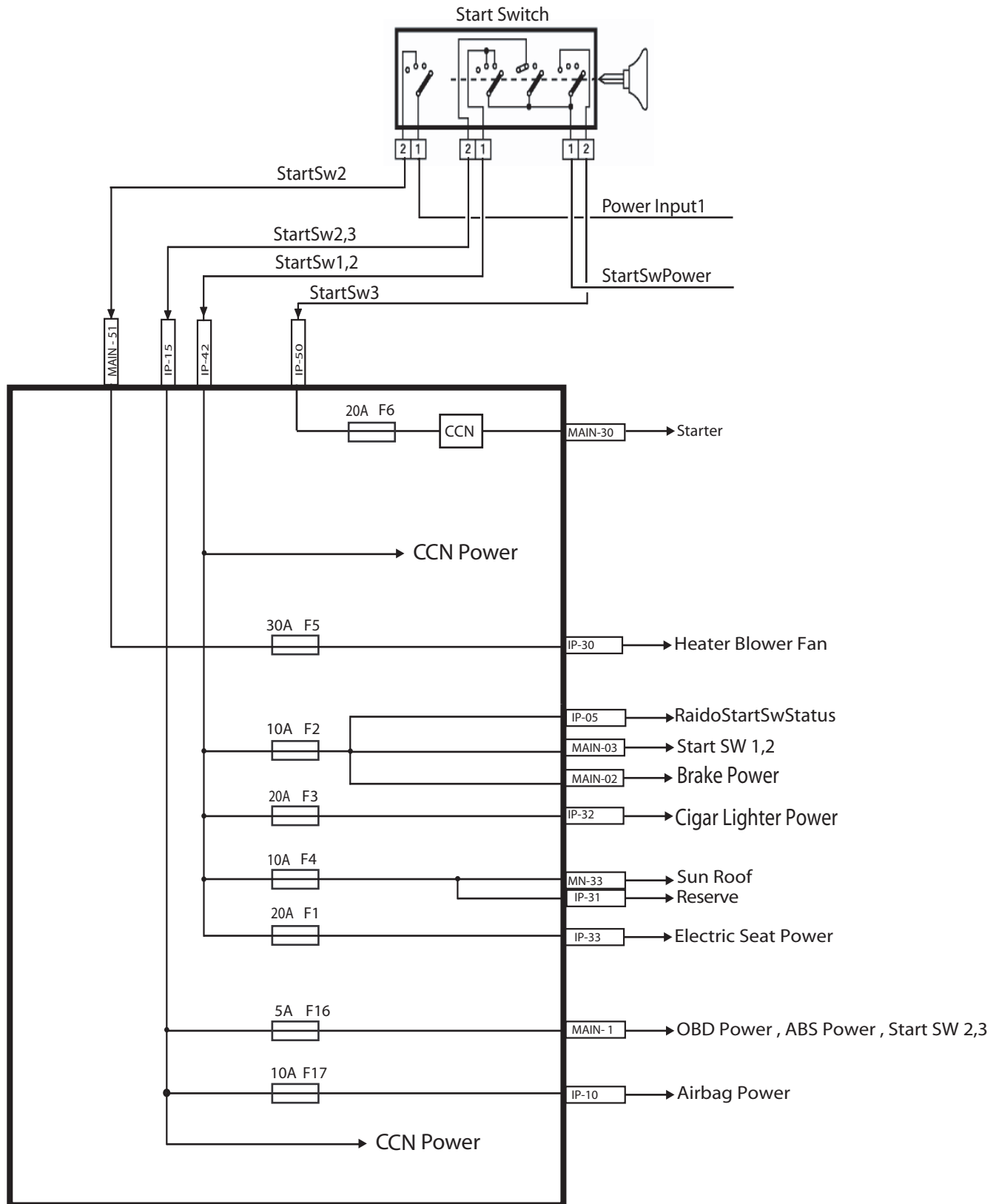
MAIN = 82W BK  
IP = 82W GY



MAIN = 82W BK  
IP = 82W GY







IP = 82W GY  
 MAIN = 82W BK